

Current-compensated Frame Core Power Line Chokes

## FCC2319 Series



### FEATURES:

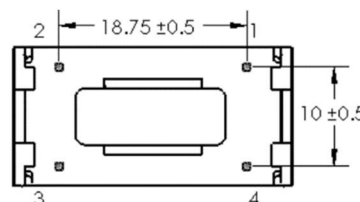
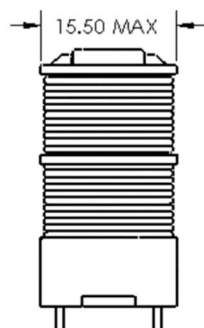
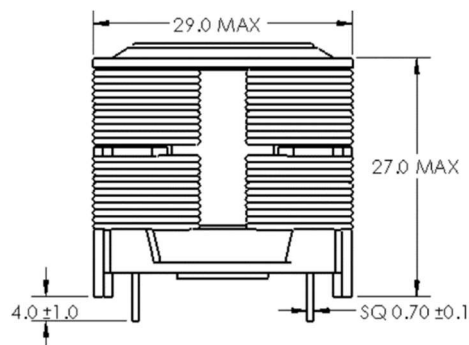
- Core Size: FC2319
- Shape: Vertical, Horizontal
- Rated Current: 0.7~2.3A
- Insulation voltage: 1500VAC,2S(line-line)
- Rated voltage: 250VAC max@40°C
- High inductance with low resistance
- Current-compensated double choke, closed magnetic circuit with frame construction
- Excellent differential-mode suppression, high pulse-handing capability
- Design complies with EN 60938-2 (VDE 0565-2), RoHS-compatible



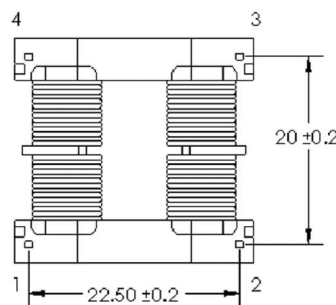
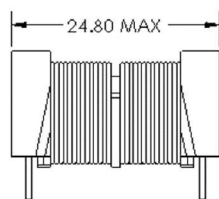
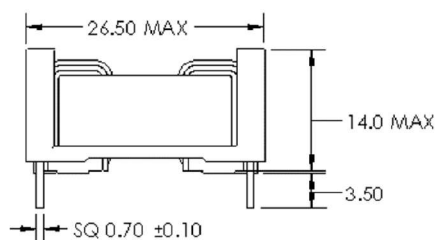
### APPLICATIONS:

- Electronic ballasts for lamps
- High power switch-mode power supplies for consumer electronics

### EXTERNAL DIMENSIONS: (unit: mm)



V TYPE



H TYPE

**ELECTRICAL CHARACTERISTICS**

Part Number	Rated Current (A)MAX	Inductance (mH) MIN	DCR (mΩ) TYP
FCC23H-103230	2.3	10	188
FCC23H-153190	1.9	15	279
FCC23H-273140	1.4	27	440
FCC23H-393120	1.2	39	696
FCC23H-473110	1.1	47	804
FCC23H-683090	0.9	68	1100
FCC23H-104070	0.7	100	1810
FCC23V-103230	2.3	10	188
FCC23V-153190	1.9	15	279
FCC23V-273140	1.4	27	440
FCC23V-393120	1.2	39	696
FCC23V-473110	1.1	47	804
FCC23V-683090	0.9	68	1100
FCC23V-104070	0.7	100	1810