

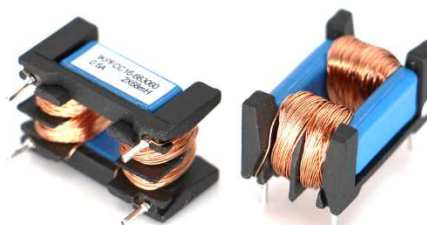
Current-compensated Frame Core Power Line Chokes

## FCC1814 Series



### FEATURES:

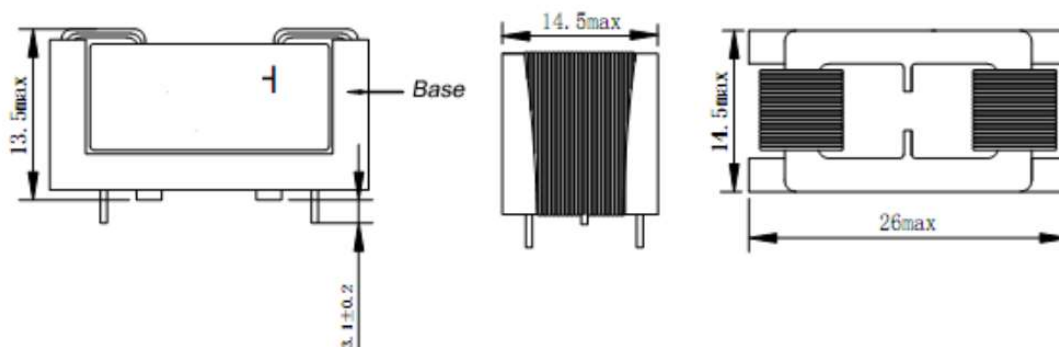
- Core Size: FC1814
- Shape: Vertical
- Rated Current: 0.45~1.6A
- Insulation voltage: 1500VAC,2S(line-line)
- Rated voltage: 250VAC max@40°C
- High inductance with low resistance
- Current-compensated double choke, closed magnetic circuit with frame construction
- Excellent differential-mode suppression, high pulse-handling capability
- Design complies with EN 60938-2 (VDE 0565-2), RoHS-compatible



### APPLICATIONS:

- Electronic ballasts for lamps
- High power switch-mode power supplies for consumer electronics

### EXTERNAL DIMENSIONS: (unit: mm)



## ELECTRICAL CHARACTERISTICS

Part Number	Rated Current (A)MAX	Inductance (mH) MIN	DCR (mΩ) TYP
FCC18-104045	0.45	100	2930
FCC18-683060	0.60	68	1970
FCC18-473070	0.70	47	1260
FCC18-393080	0.80	39	1100
FCC18-273090	0.90	27	770
FCC18-153130	1.30	15	430
FCC18-103160	1.60	10	290