

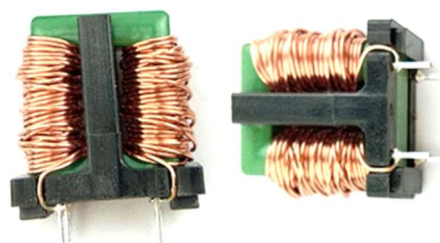
Current-compensated Frame Core Power Line Chokes

FCC1720 Series



FEATURES:

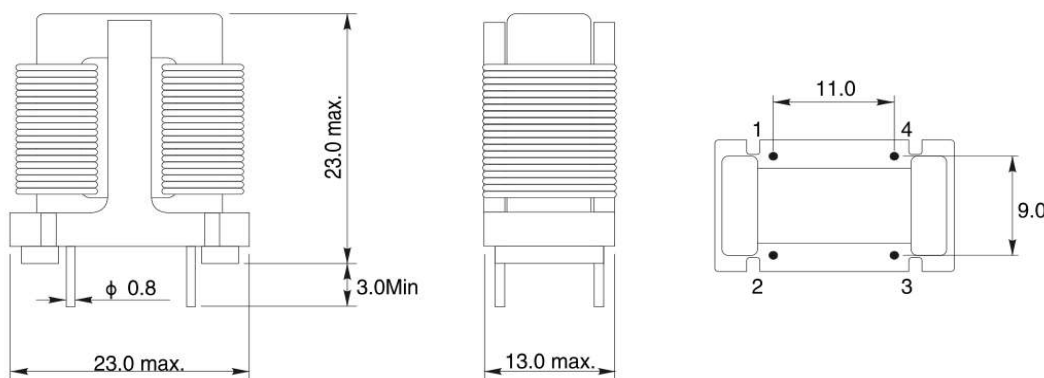
- Core Size: FC1720
- Shape: Vertical
- Rated Current: 1.51~4.02A
- Insulation voltage: 1500VAC,2S(line-line)
- Rated voltage: 250VAC max@40°C
- High inductance with low resistance
- Current-compensated double choke, closed magnetic circuit with frame construction
- Excellent differential-mode suppression, high pulse-handling capability
- Design complies with EN 60938-2 (VDE 0565-2), RoHS-compatible



APPLICATIONS:

- Electronic ballasts for lamps
- High power switch-mode power supplies for consumer electronics

EXTERNAL DIMENSIONS: (unit: mm)



ELECTRICAL CHARACTERISTICS

Part Number	Rated Current (A)MAX	Inductance (mH) MIN	DCR (mΩ) TYP
FCC17-222402	4.02	2.2	65
FCC17-332308	3.08	3.3	70
FCC17-472265	2.65	4.7	75
FCC17-682226	2.26	6.8	90
FCC17-103204	2.04	10	120
FCC17-153190	1.90	15	150
FCC17-203163	1.63	20	200
FCC17-253151	1.51	25	300