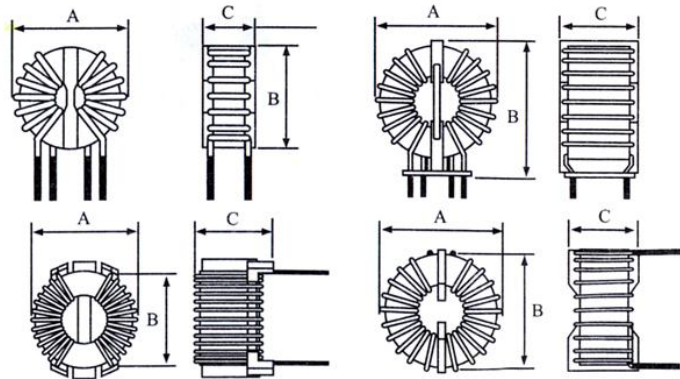


Toroidal Type Inductors

Common Mode Inductors



Features

1. Separated windings for minimum interwinding capacitance
2. Single layer windings for highest common mode impedance over the widest frequency range
3. Suitable for 50Hz to 500 KHz
4. Spacer provides 1-3mm creepage distance for UL, CSA, IEC compliance
5. All materials used are UL94-VO recognized
6. Operating temperature: - 55°C to +105°C
7. Available in either vertical or horizontal mount
8. Available in vertical header mount for ease in PCB assembly
9. Easy FR-4 board mounting Good vibration resistance

Application

Low Frequency AC Reactor, Solar Power System, Power Conditioning System, Wind Power System, Automatic Drive Machine, Induction Heater, Welding Machine, Paper Industries, RFI Suppression Choke, DC/DC converters, IP and OP devices.

Electrical Specifications

6*6*3	7*7*4	8*6*3	8*6*4	9*6*5	10*6*5
12*6*4	12.7*7.9*4.5	12.7*7.9*5.2	12.7*7.9*7	13*7*5	14*8*4
14*8*9	14*9*5	16*9*5	16*9*8	16*10*5	16*10*8
16*12*8	18*10*7	18*10*12	19*13*6	20*10*10	20*10*12
20*12*8	20*12*10	22*14*6.5	22*14*8	31*19*8	31*19*12
31*19*15	36*23*15	37*22*10	37*22*14	38*19*13	38*22*16

Physical and Electrical Performance Parameters (Table I)

Header Mounted Toroidal Common Mode Line Chokes

Part NO.	Inductance	Max. D.C. Resistance	Current Rating	Mounting	Dimension(mm) Coil size code A×B×C
T310-280-13	0.280mH	2.9milli-ohm	13A	Horizontal	38×38×19
T250-425-8	0.425mH	4.26milli-ohm	8A	Vertical	32×30×21
T310-580-13	0.580mH	10milli-ohm	13A	Vertical	38×38×18
T250-1000-8	1.000mH	0.02ohm	8A	Vertical	30×28×13
T220-1000-3.2	1.000mH	15.3milli-ohm	3.2A	Vertical	26×26×17
T220-1500-2	1.500mH	18.0milli-ohm	3.2A	Vertical	26×26×18
T220-1800-5	1.800mH	0.05ohm	5A	Horizontal	26×28×18
T220-2200-5	2.200mH	0.04ohm	5A	Vertical	26×26×19
T250-3500-1.5	3.500mH	80.0milli-ohm	1.5A	Horizontal	30×32×16
T250-3700-4	3.700mH	0.007ohm	4A	Vertical	30×32×17
T310-7200-2.5	7.200mH	93.0milli-ohm	2.5A	Horizontal	38×40×18
T310-11000-1.5	11.000mH	184.0milli-ohm	1.5A	Vertical	40×40×19

Physical and Electrical Performance Parameters (Table II)

Low Profile, Small Size Common Mode Choke

Part NO.	Inductance	Max. D.C. Resistance	DC Current Rating	Mounting	Dimension(mm) Coil size code A×B×C
T220-1180-7.5	1.180mH	12.5milli-ohms	7.5Amps	Horizontal	26×28×20
T220-65-23.5	65.000μH	0.9milli-ohms	23.5Amps	Vertical	26×26×18
T220-100-19	100.000μH	1.3 milli-ohms	19Amps	Vertical	28×26×18
T220-180-15	180.000μH	2.5milli-ohms	15Amps	Vertical	26×26×20
T220-470-12	470.000μH	4.0milli-ohms	12Amps	Vertical	28×26×18
T220-880-9	880.000μH	6.5milli-ohms	9Amps	Horizontal	28×30×20

Physical and Electrical Performance Parameters (TableIII)

High Current Common Mode Line Chokes

Part NO.	Inductance	Max. D.C. Resistance	Current Rating	Mounting	Dimension(mm) Coil size code A×B×C
T310-100-30	0.100mH	3.0milli-ohms	30Amps	Horizontal	38×40×18
T310-100-30A	0.100mH	3.0milli-ohms	30Amps	Vertical	36×36×15
T310-150-20	0.150mH	3.4milli-ohms	20Amops	Horizontal	36×36×16
T310-150-20A	0.150mH	3.4milli-ohms	20Amops	Vertical	38×38×18
T310-150-30	0.150mH	3.5milli-ohms	30Amps	Vertical	38×38×19
T250-200-15	0.200mH	5milli-ohms	15Amps	Horizontal	30×28×15
T310-200-18	0.200mH	5milli-ohms	18Amps	Horizontal	36×36×16
T310-200-15A	0.200mH	5milli-ohms	15Amps	Vertical	38×38×18
T250-200-18	0.200mH	5milli-ohms	18Amps	Vertical	30×28×15
T250-300-15	0.300mH	7.3milli-ohms	15Amps	Horizontal	30×32×18
T250-300-15A	0.300mH	7.3milli-ohms	15Amps	Vertical	30×28×17
T250-600-9	0.600mH	10milli-ohms	9Amps	Horizontal	30×30×18
T250-600-9	0.600mH	10milli-ohms	9Amps	Vertical	30×28×19

◆ We can design and manufacture customized part with specific requirement